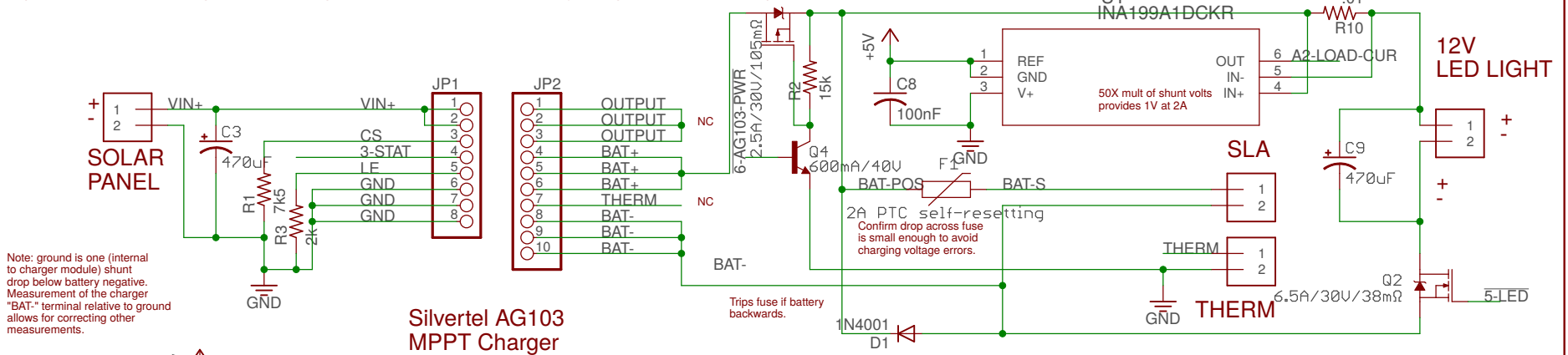


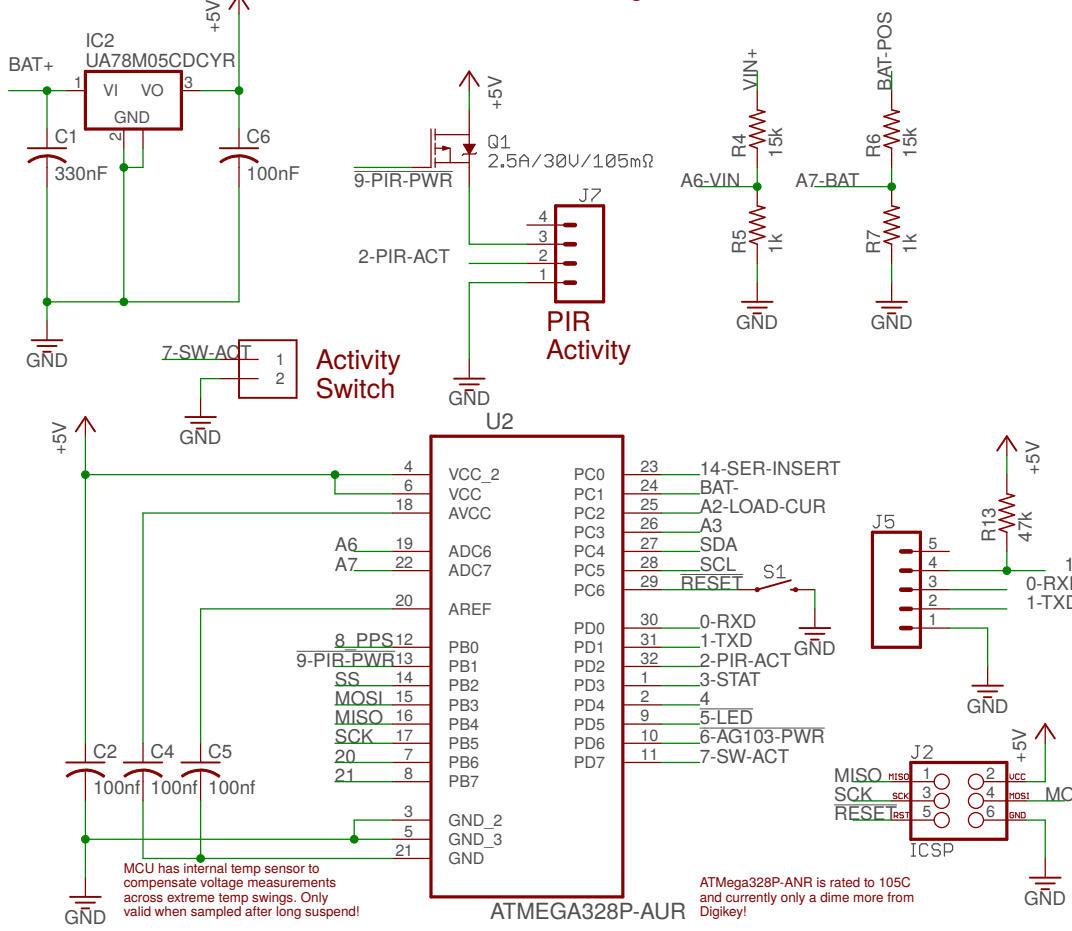
Charger datasheet:  
<http://www.silvertel.com/images/datasheets/Ag103-datasheet-Solar-Panel-Battery-Charge-Controller-module.pdf>

This FET is spec'd to easily handle the charge current from a 10 watt panel (.6A peak).



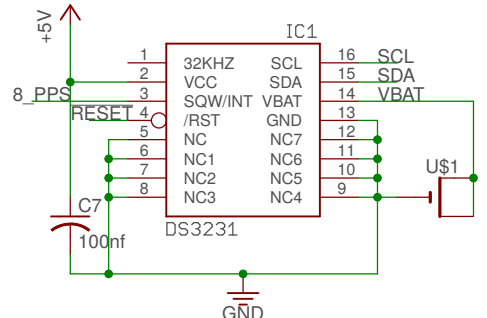
Note: ground is one (internal to charger module) shunt drop below battery negative. Measurement of the charger "BAT-" terminal relative to ground allows for correcting other measurements.

### Silvertel AG103 MPPT Charger



### Atmega Pin Assignments

- 0 - RXD
- 1 - TXD
- 2 - PIR signal
- 3 - STAT
- 4
- 5 - LED PWM
- 6 - AG103 Power
- 7 - PCINT Activity Switch
- 8 - PCINT for DS3231 PPS
- 9 - PIR Power
- 10-
- 11-
- 12-
- 13-
- A0-14 PCINT IO Connect
- A1-BAT- AG103 Shunt Voltage
- A2-LOAD Current (.5V/Amp)
- A3-
- A4-SDA
- A5-SCL
- A6-Battery Voltage
- A7-Panel Voltage



TITLE: smartlights	Project: LED light management
Description:	
Author, license:	Creative Commons CC
Repo:	REV: 0.71
Date: 5/6/17 12:02 PM	Sheet: 1/1