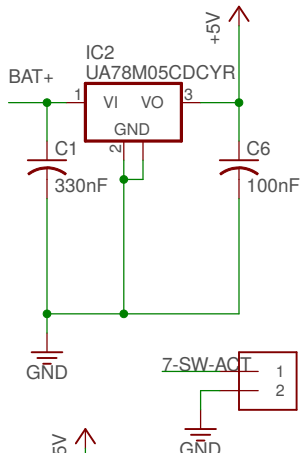
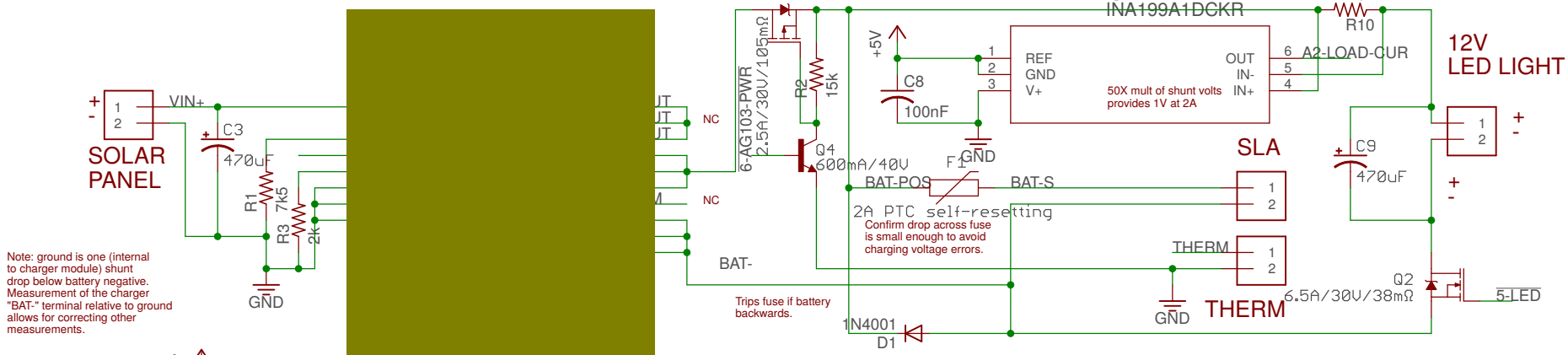


Charger datasheet:
<http://www.silvertel.com/images/datasheets/Ag103-datasheet-Solar-Panel-Battery-Charge-Controller-module.pdf>

This FET is spec'd to easily handle the charge current from a 10 watt panel (.6A peak).

Note: ground is one (internal to charger module) shunt drop below battery negative. Measurement of the charger "BAT-" terminal relative to ground allows for correcting other measurements.



Activity Switch



Activity Switch



PIR Activity



PIR Activity



PIR Activity



PIR Activity



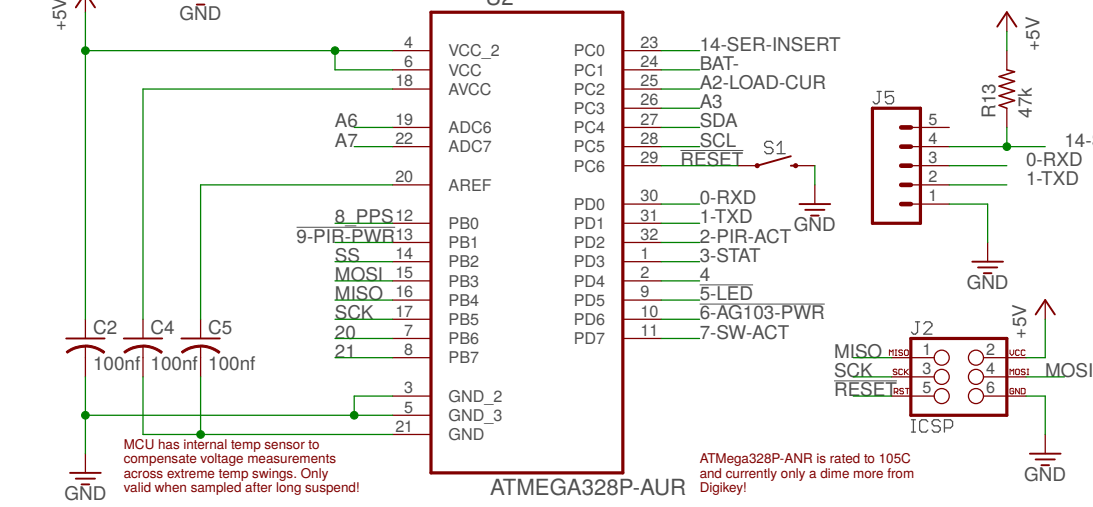
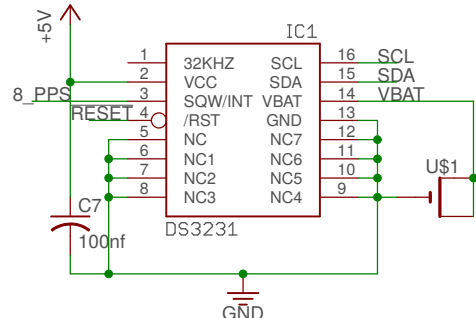
PIR Activity



PIR Activity

Atmega Pin Assignments

- 0 - RXD
- 1 - TXD
- 2 - PIR signal
- 3 - STAT
- 4
- 5 - LED PWM
- 6 - AG103 Power
- 7 - PCINT Activity Switch
- 8 - PCINT for DS3231 PPS
- 9 - PIR Power
- 10-
- 11-
- 12-
- 13-
- A0-14 PCINT IO Connect
- A1-BAT- AG103 Shunt Voltage
- A2-LOAD Current (.5V/Amp)
- A3-
- A4-SDA
- A5-SCL
- A6-Battery Voltage
- A7-Panel Voltage



MCU has internal temp sensor to compensate voltage measurements across extreme temp swings. Only valid when sampled after long suspend!

ATmega328P-ANR is rated to 105C and currently only a dime more from Digkey!

TITLE: smartlights	Project: LED light management
Description:	
Author, license:	Creative Commons CC0
Repo:	REV: 0.71
Date: 5/5/17 3:43 PM	Sheet: 1/1